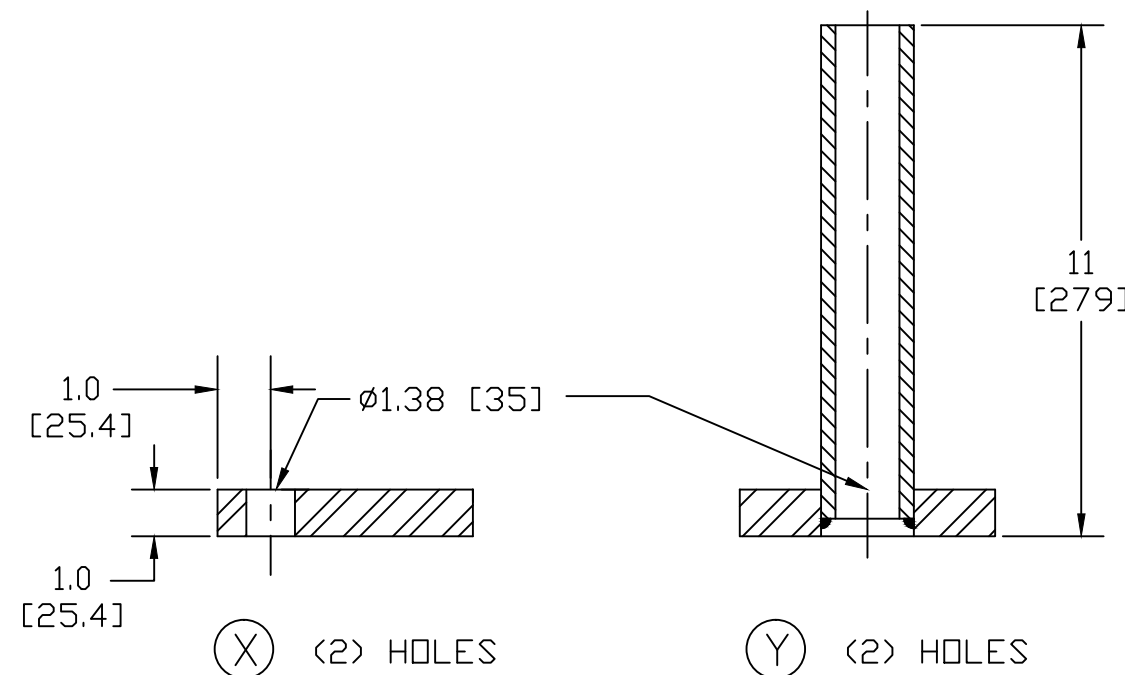


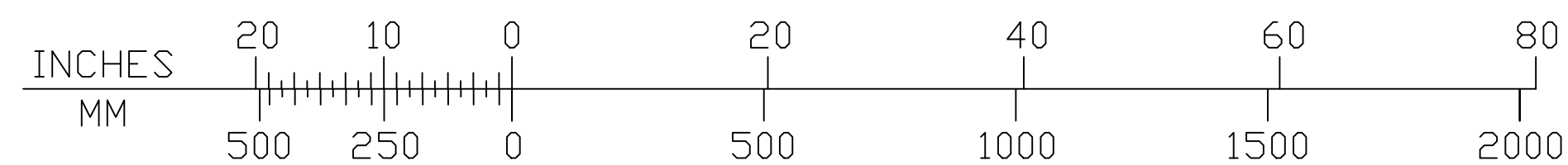
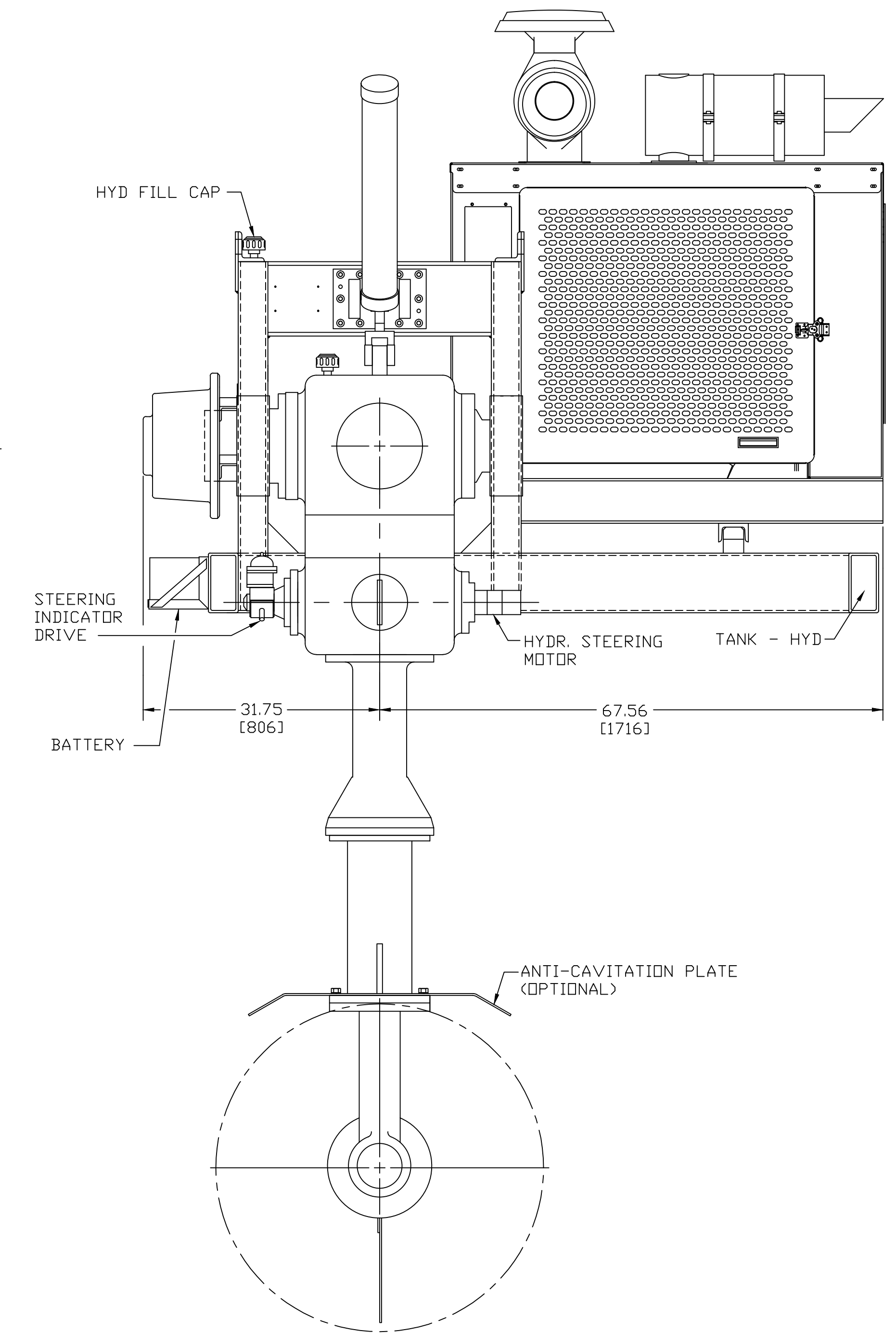
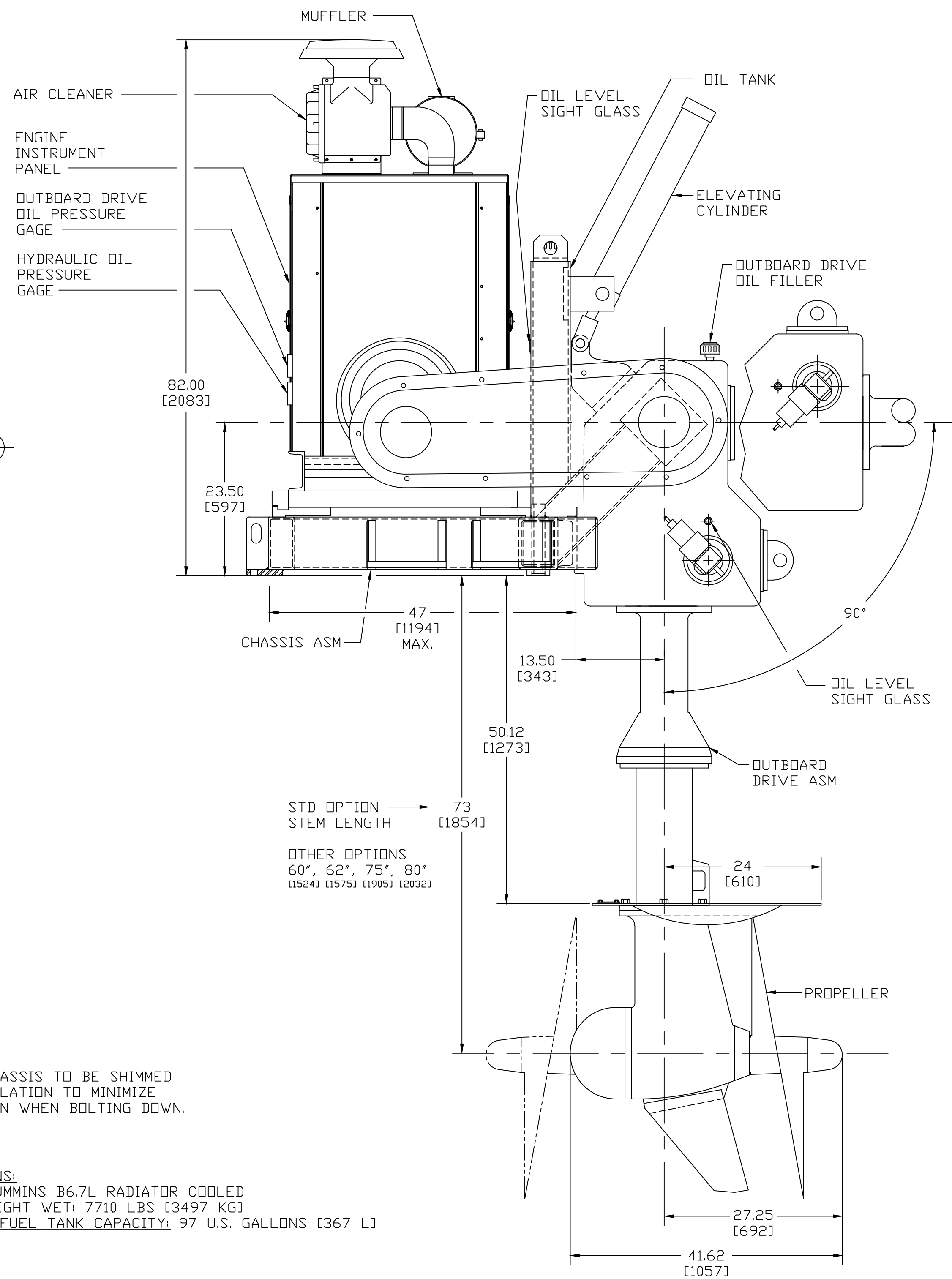
PLAN VIEW
(ENGINE AND ENCLOSURE NOT SHOWN)



MOUNTING BOLT HOLES
NO SCALE

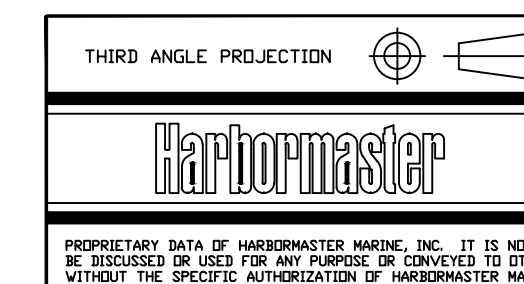
NOTE:
ENGINE CHASSIS TO BE SHIMMED AT INSTALLATION TO MINIMIZE DEFLECTION WHEN BOLTING DOWN.

SPECIFICATIONS:
ENGINE: CUMMINS B6.7L RADIATOR COOLED
TOTAL WEIGHT WET: 7710 LBS [3497 KG]
OPTIONAL FUEL TANK CAPACITY: 97 U.S. GALLONS [367 L]



ALSO REDUCED SIZE B

OPTIONAL EQUIPMENT MAY BE SHOWN



THIRD ANGLE PROJECTION

SYM		DATE		REVISION RECORD		DR	CH
COMPUTER GRAPHICS DRAWING - CHANGE RESTRICTED							
MATERIAL SPEC				DRAWN		APPROVED	
SCALE 1/12				C.J.H.		-	
FIRST USED 2007 MODEL		REFERENCE 9921-D		CHECKED		DATE	
CUMMINS B6.7L		PART NAME		SHT 1 OF 1		NUMBER 9923-D	
ALL DIMENSIONS IN INCHES (MM) LIMITS ± 0.010 INCH AND ANGLES TO 1/2 DEGREE UNLESS OTHERWISE STATED PROPRIETARY DATA OF HARBORMASTER MARINE, INC. IT IS NOT TO BE REPRODUCED OR USED FOR ANY PURPOSE OR CONVEYED TO OTHERS WITHOUT THE SPECIFIC AUTHORIZATION OF HARBORMASTER MARINE.							
INSTALLATION AND UNIT ASSEMBLY DWG - SWR 3000							