

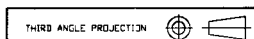
LEGEND

CAE	CHASSIS & ENGINE
EL/ENG	ELECTRICAL/ENGINE
ELV/ST	ELEVATION/STEERING
PT	POWER TRANSMISSION
HYDR	HYDRAULIC
OBD	OUTBOARD DRIVE
UA	UNIT ASSEMBLY

PRELIMINARY SPECIFICATIONS:

ENGINE - CUMMINS 4B3.9, RADIATOR-COOLED
APPROX. WEIGHT - 5500 LBS. (2495 KG)

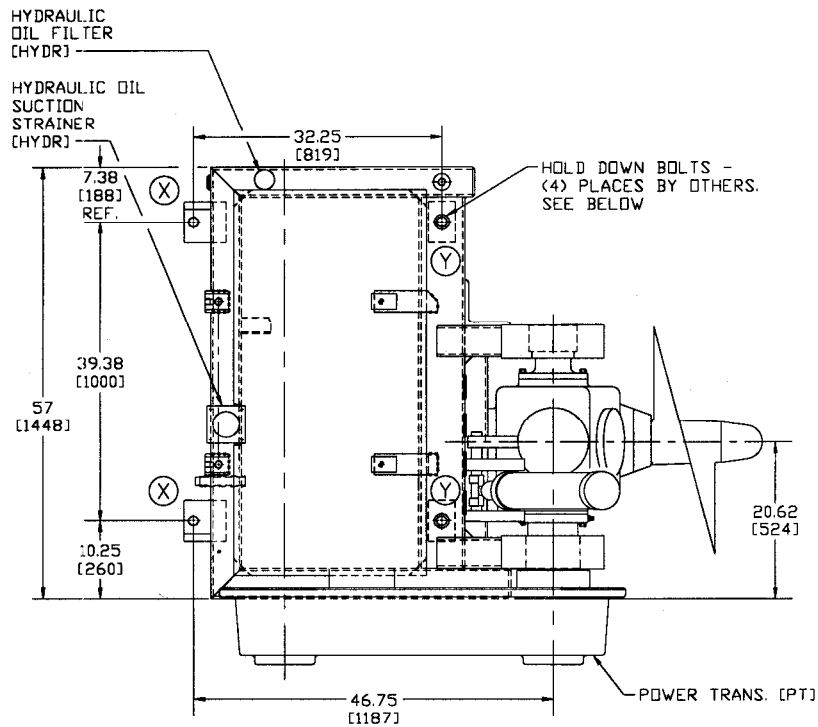
ALSO REDUCED SIZE A & B



HarborMaster

PROPRIETARY DATA OF HARBORMASTER MARINE, INC. IT IS NOT TO BE REPRODUCED OR USED FOR ANY PURPOSE OR CONVEYED TO OTHERS WITHOUT THE SPECIFIC AUTHORIZATION OF HARBORMASTER MARINE.

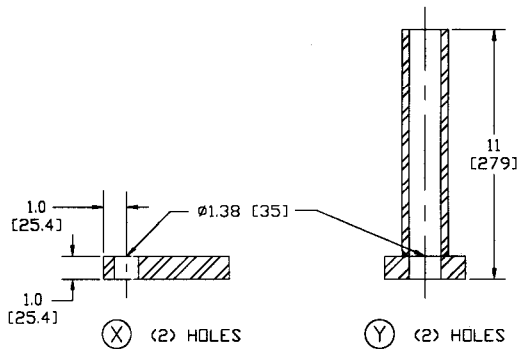
A	6/11/03	REVISED AND REDRAWN		N.A.B.
SYN	DATE	REVISION RECORD		DR CH
COMPUTER GRAPHICS DRAWING - CHANGE RESTRICTED				
MATERIAL SPEC		DRAWN		APPROVED
-		N.A.B.		R.L.S.
SCALE	FIRST USED	REFERENCE	CHECKED	DATE
1/12	CUMMINS 4B3.9	36931-D		6/3/03
ALL DIMENSIONS IN INCHES (MM) LIMITS 1/2" (12.7) INCH AND ANGLES TO 1/2 DEGREE UNLESS OTHERWISE STATED		PART NAME		SHT NUMBER
		INSTALLATION AND UNIT ASSEMBLY DWG - SW-2000		1 OF 1 9916-D



PLAN VIEW
(ENGINE AND ENCLOSURE NOT SHOWN)

LEGEND

CAE	CHASSIS & ENGINE
EL/ENG	ELECTRICAL/ENGINE
ELV/ST	ELEVATION/STEERING
PT	POWER TRANSMISSION
HYDR	HYDRAULIC
OBD	OUTBOARD DRIVE
UA	UNIT ASSEMBLY



MOUNTING BOLT HOLES
NO SCALE

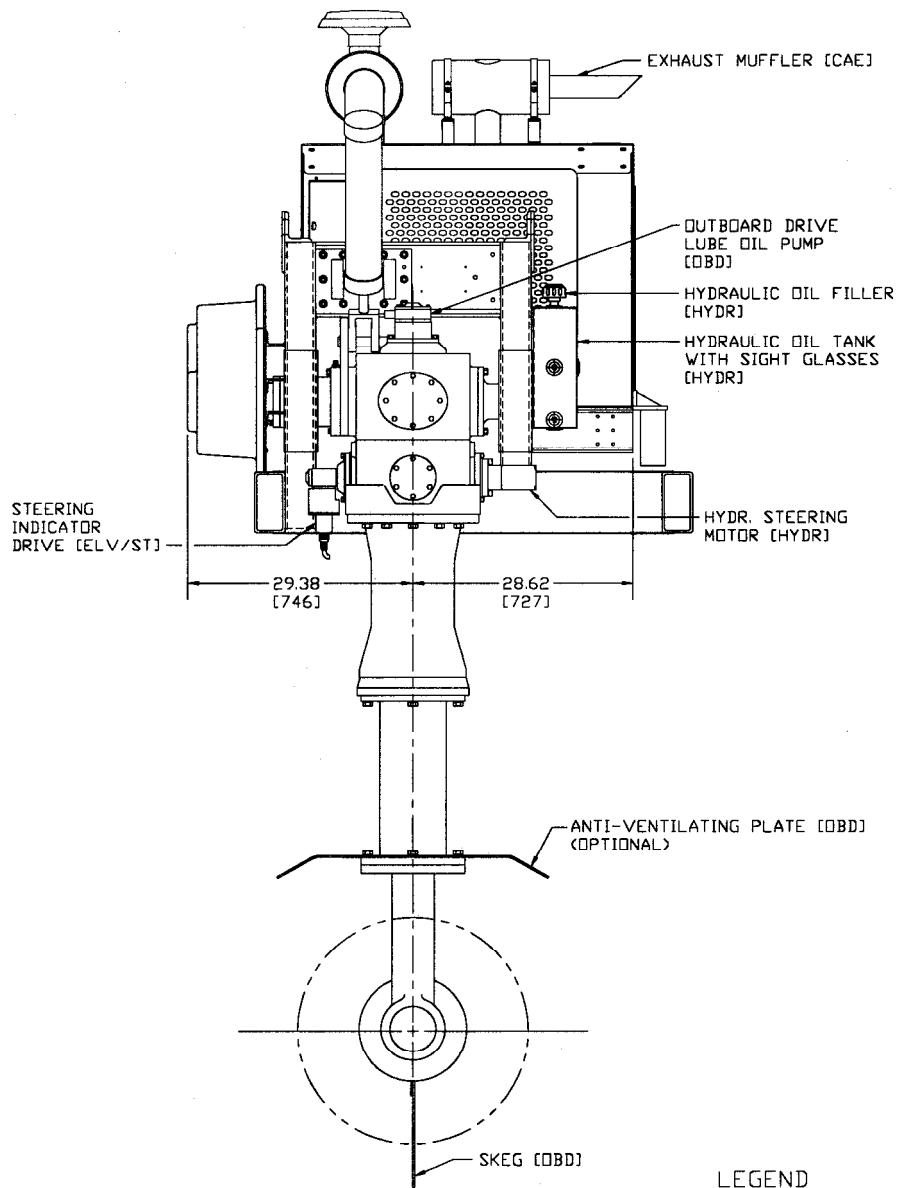
NOTE:
ENGINE BED TO BE SHIMMED
AT INSTALLATION TO MINIMIZE
DEFLECTION WHEN BOLTING DOWN.

ALSO REDUCED SIZE A & B

A	6/11/03	REVISED AND REDRAWN	N.A.B.	
SYM	DATE	REVISION RECORD	DR	CH
COMPUTER GRAPHICS DRAWING - CHANGE RESTRICTED				
MATERIAL SPEC		DRAWN	APPROVED	
-		N.A.B.	R.L.S.	
SCALE	FIRST USED	REFERENCE	CHECKED	DATE
1/12	CUMMINS 4B3.9	36931-D		6/3/03
ALL DIMENSIONS IN INCHES (MM) LIMITS +/- .010 INCH AND ANGLES TO 1/2 DEGREE UNLESS OTHERWISE STATED			SHT NUMBER	
PART NAME			1	
INSTALLATION AND UNIT ASSEMBLY DWG - SW-2000			OF 1	9916-D

THIRD ANGLE PROJECTION

PROPRIETARY DATA OF HARBORMASTER MARINE, INC. IT IS NOT TO BE REPRODUCED OR USED FOR ANY PURPOSE OR CONVEYED TO OTHERS WITHOUT THE EXPRESS AUTHORIZATION OF HARBORMASTER MARINE.



LEGEND

CAE	CHASSIS & ENGINE
EL/ENG	ELECTRICAL/ENGINE
ELV/ST	ELEVATION/STEERING
PT	POWER TRANSMISSION
HYDR	HYDRAULIC
OBD	OUTBOARD DRIVE
UA	UNIT ASSEMBLY

ALSO REDUCED SIZE A & B

A		6/11/03		REVISED AND REDRAWN		N.A.B.	
SYM	DATE	REVISION RECORD				DR	CH
COMPUTER GRAPHICS DRAWING - CHANGE RESTRICTED							
MATERIAL SPEC				DRAWN		APPROVED	
-				N.A.B.		R.L.S.	
SCALE	FIRST USED	REFERENCE	CHECKED	DATE			
1/12	CUMMINS 4B3.9	36931-D		6/3/03			
ALL DIMENSIONS IN INCHES (MM)				PART NAME		SHEET NUMBER	
LIMITS +/- .010 INCH AND ANGLES TO 1/2 DEGREE UNLESS OTHERWISE STATED				INSTALLATION AND UNIT ASSEMBLY DWG - SW-2000		1 OF 1 9916-D	

THIRD ANGLE PROJECTION

HarborMaster

PROPRIETARY DATA OF HARBORMASTER MARINE, INC. IT IS NOT TO BE REPRODUCED OR USED FOR ANY PURPOSE OR CONVEYED TO OTHERS WITHOUT THE SPECIFIC AUTHORIZATION OF HARBORMASTER MARINE.